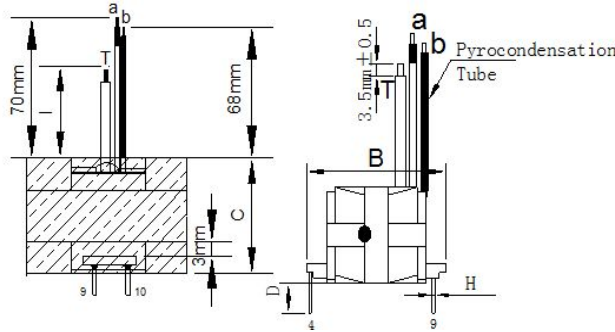
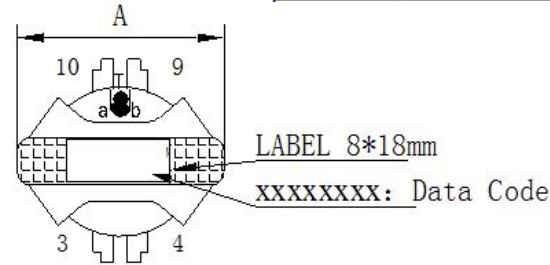
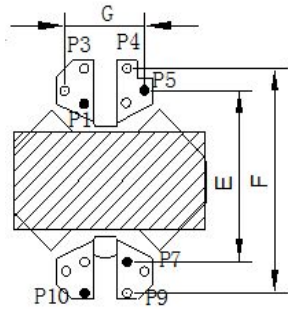


CUSTOMER TERMINAL	ROHS	Lead(Pb)-free
	YES	YES

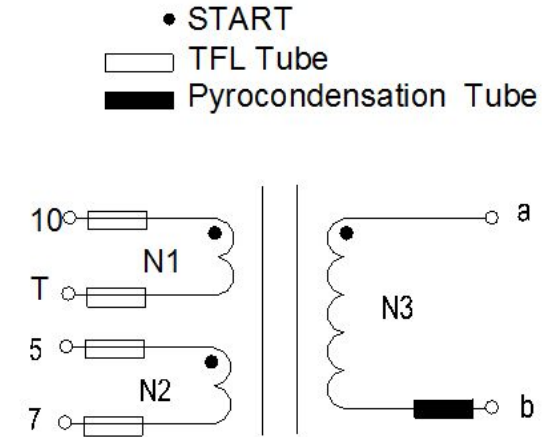
1. Mechanical Dimensions



A	30.0	MAX
B	29.0	MAX
C	19.5	MAX
D	3.5	±0.3
E	21.6	±0.1
F	25.2	±0.1
G	7.2	±0.1
H	0.60	±0.1
I	37.00	±2.0



2. Schematic Diagram

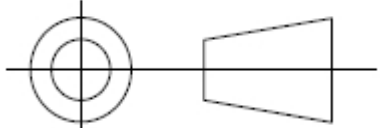


3. Material List

Core:FW44 RM10
 Bobbin:FWB1005(6+6PIN)
 Wire:2UEW TIW LITZ
 Copper foil: 0.025t*5.0/8.0mm
 Operating Temperature: -30 to115 °C

4. Electrical Specification

Inductance : $L(10-T):950\mu H \pm 5\%$ 50KHZ , 1.0V
 DCR : $(T-10)=0.25\Omega$ MAX
 Hi-Pot:P-S: AC 60Hz 4000V 1mA 3S

REV.	DATE	 Convention Placement	DRW.	Drawing Title:	Part No:		
0	00/00		CHK.			TRANSFORMER	FWPTRM10V951J
			APP.			Customer P/N	Specification Sheet 1of 1
ROHS		www.ferriwo.com					